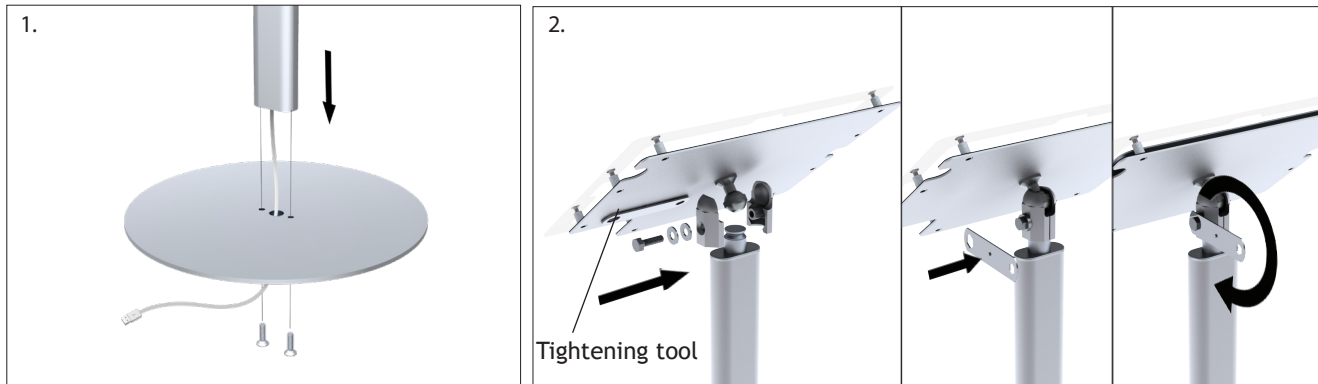


# Classic Pro Tablet Stand™ - IPDS Series

1. Align upright over base. Feed cord through center hole and screw into place using two Allen head screws. When inserting screws, tighten BOTH by hand first. Then, fully tighten using an Allen key.
2. Attach the Tablet casing to the upright as shown below using the bolt and washers provided. Use the magnetic tightening tool provided to tighten the bolt.
3. Remove acrylic cover using small tamper-proof key provided. Place tablet inside and reassemble unit.

*Note: Base shown below is for the IPDS-RD stand, but setup is the same for the IPDS-SQ stand.*



-HC (Hard Case Option)



IPDS-RD shown